

# **iTone™ Portable Docking Station for your iPod®**

**The Perfect Portable Speaker System...  
with Stereo Radio and Digital Alarm Clock**





Made for all iPod® models including iPod® nano, iPod® shuffle and iPod® mini

**OWNER'S MANUAL  
iP100C / iP100BKC**

Visit our web site : [www.emersonelectronics.ca](http://www.emersonelectronics.ca)

## CAUTION

TO PREVENT FIRE OR SHOCK HAZARD, DO NOT USE THIS PLUG WITH AN EXTENSION CORD, RECEPTACLE OR OTHER OUTLET UNLESS THE BLADES CAN BE FULLY INSERTED TO PREVENT BLADE EXPOSURE. TO PREVENT FIRE OR SHOCK HAZARD, DO NOT EXPOSE THIS APPLIANCE TO RAIN OR MOISTURE.

 <p>The lightning flash with arrow-head symbol, within an equilateral triangle is intended to alert the user to the presence of uninsulated 'dangerous voltage' within the product's enclosure that may be of sufficient magnitude to constitute a risk of electric shock to persons.</p>	<p><b>CAUTION</b> <b>RISK OF ELECTRIC SHOCK</b> <b>DO NOT OPEN</b></p> <p><b>WARNING: TO REDUCE THE RISK OF ELECTRIC SHOCK DO NOT REMOVE COVER (OR BACK), NO USER SERVICEABLE PARTS INSIDE. REFER SERVICING TO QUALIFIED SERVICE PERSONNEL.</b></p>	 <p>The exclamation point within an equilateral triangle is intended to alert the user to the presence of important operating and maintenance (servicing) instructions in the literature accompanying the appliance.</p>
--	---	---

The Caution Marking maybe located at the bottom enclosure of the apparatus.

## IMPORTANT SAFETY INSTRUCTIONS

- 1.) Read these instructions. Keep these instructions. Follow all instructions. Heed all warnings.
- 2.) Do not use this apparatus near water.
- 3.) Clean only with dry cloth.
- 4.) Do not block any ventilation openings. Install in accordance with the manufacturer's instructions.
- 5.) Do not install near any heat sources such as radiators, heat registers, stoves, or other apparatus (including amplifiers) that produce heat.
- 6.) Do not defeat the safety purpose of the polarized or grounding-type plug. A polarized plug has two blades with one wider than the other. A grounding type plug has two blades and a third grounding prong. The wide blade or the third prong is provided for your safety. If the provided plug does not fit into your outlet, consult an electrician for replacement of the obsolete outlet.
- 7.) Protect the power cord from being walked on or pinched particularly at plugs, convenience receptacles, and the point where they exit from the apparatus.
- 8.) Only use attachments / accessories specified by the manufacturer.
- 9.) Unplug this apparatus during lightning storms or when unused for long periods of time.
- 10.) Refer all servicing to qualified service personnel. Servicing is required when the apparatus has been damaged in any way, such as power-supply cord or plug is damaged, liquid has been spilled or objects have fallen into the apparatus, the apparatus has been exposed to rain or moisture, does not operate normally, or has been dropped.
- 11.) This appliance shall not be exposed to dripping or splashing water and no object filled with liquids such as vases shall be placed on the apparatus.
- 12.) Use only with the cart, stand, tripod, bracket, or table specified by the manufacturer, or sold with the apparatus. When a cart is used, use caution when moving the cart/apparatus combination to avoid injury from tip-over.
- 13.) Do not overload wall outlet. Use only power source as indicated.
- 14.) Use replacement parts as specified by the manufacturer.
- 15.) The product may be mounted to a wall only if recommended by the manufacturer.
- 16.) Upon completion of any service or repairs to this product, ask the service technician to perform safety checks.



Thank you.....

For purchasing this iTone™ iPod® Compatible Portable Stereo System from Emerson Research. This compact portable system features a built in iPod® docking station so you can play your iPod® through the speakers of this system when you are in the mood to share your music with others, or when you simply do not want to use earphones. In addition, when this system is connected to an AC outlet with the included AC adapter it will also recharge the battery of any 'dockable' iPod®. We have even included four separate inserts so that every 'dockable' iPod® currently available (as of January 2006) will fit correctly in the docking area.

This system also includes an AM/FM Stereo Radio with digital station frequency display for more precise tuning, and a digital alarm clock that can wake you to the radio or an electronic buzzer.

Finally we have also included an auxiliary input jack so that you can also connect non-dockable iPod® such as the first generation models, or the iPod® Shuffle, or even other brands of MP3 players and portable CD players to this system. The required connection cable is included of course.

We have taken great care to ensure this system was in perfect working order when it left our factory. If you experience any problems with the set up or operation of this system please do not return it to the retail store. Call the Emerson customer service hotline, toll free, at 1-800-663-5954, Monday to Friday 9:00am - 5:00pm Eastern Standard Time.

Again, thank you for purchasing this iPod® compatible portable stereo system from Emerson Research.

iPod® is a trademark of Apple Computer Inc., registered in the U.S. and other countries.

## IMPORTANT NOTES

- Avoid installing this unit in places exposed to direct sunlight or close to heat radiating appliances such as electric heaters, on top of other stereo equipment that radiates too much heat, places lacking ventilation or dusty areas, places subject to constant vibration and/or humid or moist areas.
- Operate controls and switches as described in the manual.
- Before turning on the power, make certain that the AC/DC adapter is properly installed.
- When moving the set, be sure to first disconnect the AC/DC adapter.

Instruction Book wording is as follows:

### IMPORTANT

Since digital circuitry may cause interference to other radio or television tuners nearby, switch this unit off when not in use or move it away from the affected radio/television tuner.

**NOTE:** This digital apparatus does not exceed the Class B limits for radio noise emissions from digital apparatus as set out in the Radio Interference Regulations of Industry Canada. These limits are designed to provide reasonable protection against harmful interference in a residential installation. This equipment generates, uses and can radiate radio frequency energy and, if not installed and used in accordance with the instructions, may cause harmful interference to radio communications. However, there is no guarantee that interference will not occur in a particular installation. If this equipment does cause harmful interference to radio or television operation (which can be determined by turning the equipment off), the user is encouraged to try to correct the interference by one or more of the following measures:

- Reorient or relocate the receiving antenna.
- Increase the separation between the equipment and receiver.
- Connect the equipment into an outlet on a circuit different from that to which the receiver is connected.
- Consult the dealer or an experienced radio / TV technician for help.

## PREPARATION FOR USE

### Unpacking And Set Up

- Remove the main unit, the AC adapter, the accessory auxiliary device connection cord, and the 4 iPod® adapters from the carton, and remove all packing material from the main unit. We recommend that you save the carton and packing material in the event that the unit ever needs to be returned for service. Using the original carton and packing material is the only way to protect your unit from damage during shipment.
- Remove any descriptive labels or stickers from the top or front panels of the unit but do not remove any labels or stickers from the back or bottom panels.
- Remove the "dummy iPod®" display card from the docking area and discard it.

### Power Sources

This system is designed to operate on 6 "C" batteries, not included, or on normal 120V AC house current with the included AC adapter. In addition, this unit requires 2 "AA" batteries for the clock and alarm memory back up. We recommend that you use a well-known brand of alkaline batteries for longest life and best performance.

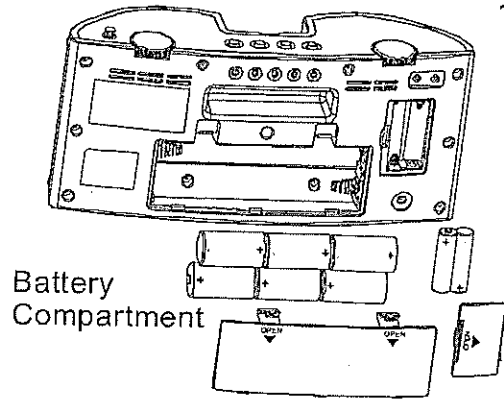
Attempting to operate this system from any other power source may cause damage to the system, and such damage is not covered by your warranty.

### Battery Precautions

- Replacement of batteries must be done by an adult.
- Do not mix old and new batteries.
- Do not mix alkaline, standard (carbon-zinc) or rechargeable (nickel-cadmium) batteries.
- The supply terminals are not to be short-circuited.
- Non-rechargeable batteries are not to be recharged.
- Exhausted batteries are to be removed.
- Only batteries of the equivalent type are to be used.
- Batteries are to be inserted with the correct polarity.
- Dispose of batteries properly. Do not dispose of batteries in fire. The batteries may explode or leak.

## Battery Installation

The battery compartments for the 6 "C" batteries and 2 "AA" batteries are located on the back panel. To open the battery compartment covers press the door locking tabs in the direction of the arrows. Remove the doors and insert the 6 "C" and 2 "AA" batteries in their respective compartments. Be sure the batteries are installed correctly according to the polarity markings in the battery compartments. If the batteries are installed incorrectly the unit will not work.



After installing the batteries replace both battery compartment covers and make sure that they lock securely.

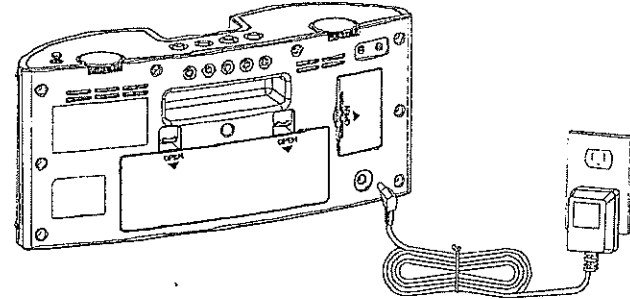
## Battery Replacement

When the sound output becomes weak and distorted during battery operation it is probably time to change the 6 "C" batteries. Try operating the system with the AC adapter. If the sound is normal with the AC adapter this confirms that the batteries are weak and should be replaced as soon as possible. If exhausted batteries are left in the unit they may eventually leak and cause damage to the unit. When changing the 6 "C" batteries always change all 6 at the same time and do not mix different types of batteries such as alkaline, carbon-zinc, and nickel cadmium.

The 2 "AA" batteries are only used for maintaining the clock and timer memory and therefore they will probably last longer than the 6 "C" batteries. Two fresh alkaline "AA" batteries should provide back up power for the clock and timer for a period of 12 months.

## Using The AC Adapter

Connect the small female plug of the AC adapter to the DC Input Jack on the back panel. Connect the housing of the AC adapter to your 120V AC outlet.



When the adapter is connected to the unit the AC power source is selected automatically, even if there are batteries in the battery compartment. Note: In order to operate the unit on batteries the AC adapter must be completely disconnected from the DC Input Jack on the back panel.

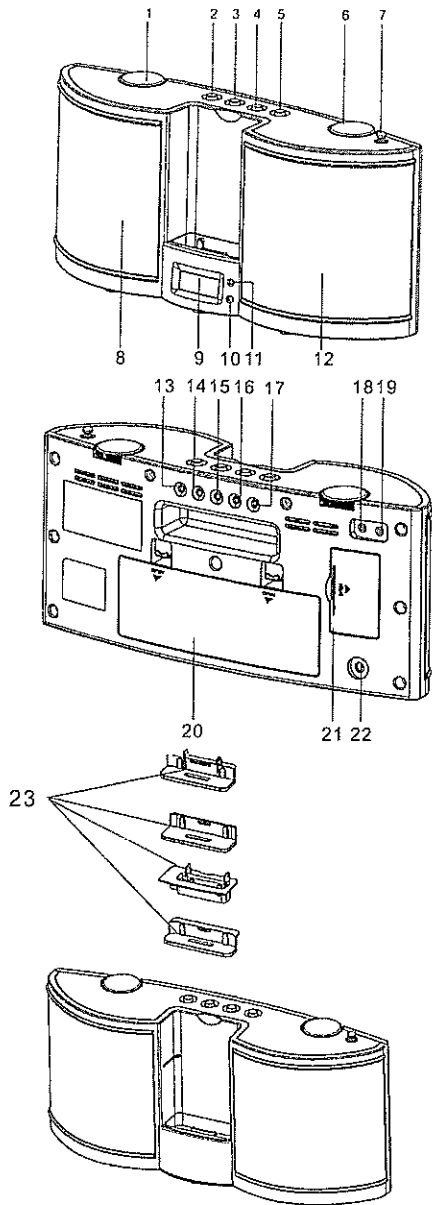
### NOTES:

- The housing of the AC adapter may become warm during operation. This is normal.
- To reduce the risk of electric shock never connect or disconnect the AC adapter while your hands are wet.

## Protect Your Furniture

This model is equipped with non-skid rubber 'feet' to prevent the product from moving when you operate the controls. These 'feet' are made from non-migrating rubber material specially formulated to avoid leaving any marks or stains on your furniture. However certain types of oil based furniture polishes, wood preservatives, or cleaning sprays may cause the rubber 'feet' to soften, and leave marks or a rubber residue on the furniture. To prevent any damage to your furniture we strongly recommend that you purchase small self-adhesive felt pads, available at hardware stores and home improvement centers everywhere, and apply these pads to the bottom of the rubber 'feet' before you place the product on fine wooden furniture.

## LOCATION OF CONTROLS AND INDICATORS



1. VOLUME Control
2. POWER Mode Button (ON/OFF/ALARM ON)
3. DBBS Button
4. FUNCTION Button (iPod/AUX Buzzer, RADIO)
5. FM AUTO /AM Button
6. TUNING Control
7. FM Antenna
8. Left Speaker
9. LCD Display
10. FM Stereo Indicator
11. Power Indicator
12. Right Speaker
13. ALARM ON/OFF Button
14. ALARM SET Button
15. TIME SET Button
16. MINUTE Button
17. HOUR Button
18. AUX IN Jack
19. PHONES Jack
20. Battery Compartment
21. Backup Battery Compartment
22. AC Adapter Jack
23. iPod holder(4 inserts)

## LCD DISPLAY

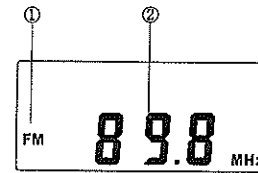


Fig 1

Radio mode

1. Band Indicator (AM/FM)
2. Radio Frequency

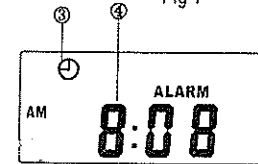


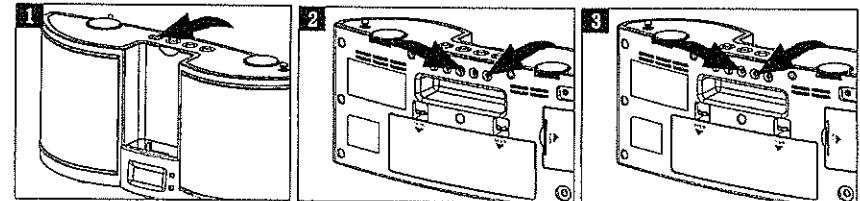
Fig 2

Clock/Timer Mode

3. Alarm On Indicator
4. Time/Alarm Time Display

## OPERATING INSTRUCTIONS

### SETTING THE CLOCK



1. Make sure the POWER switch is set to the 'Off' position. The time or alarm time cannot be set or adjusted while the unit is 'On'.

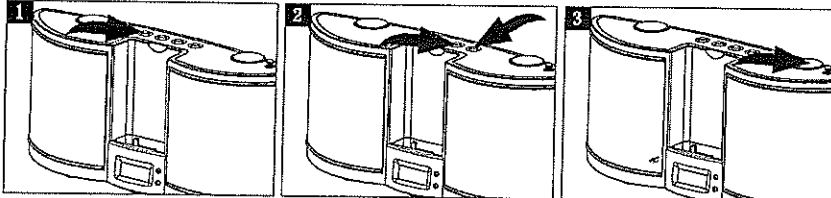
2. Press and hold the TIME SET button. While holding the TIME SET button press the HR SET button to adjust the hour.

3. While holding the TIME SET button, press the MINUTE SET button to adjust the minute. Release all buttons to complete time setting.

## OPERATING INSTRUCTIONS (CONTINUED)

### LISTENING TO THE RADIO

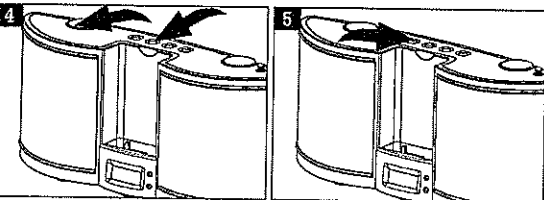
**NOTE:** To prevent any interference between your iPod® and the radio in this unit, your iPod® should be switched 'Off' when listening to the radio.



1. Set the POWER button to the 'On' position, the display lighting turns on.

2. Set the FUNCTION button to the Radio position. The display will change from time to radio frequency. Set the BAND selector to the desired band, AM or FM Auto.

3. Rotate the TUNING control until the display shows the desired AM or FM station frequency. Turn the TUNING control clockwise to select higher numbered frequencies or counter-clockwise to select lower numbered frequencies. The FM STEREO indicator will light when you tune to an FM Stereo station.



4. Rotate the VOLUME control to increase or decrease the volume level. If you want to increase the bass response set the DBBS button to the 'On' position.

**Note:** If you are listening to music that contains heavy bass at high volume levels the sound may become distorted if the DBBS switch is set to the 'On' position. If this occurs set the DBBS switch to the 'Off' position, or reduce the volume level.

5. When you are finished listening set the POWER button to the 'Off' position. The display changes from radio frequency to correct time and the display lighting goes off.

## OPERATING INSTRUCTIONS (CONTINUED)

### Docking and Charging Your iPod®

This system is designed with the same 30-pin connector found in all iPod® docks. By simply connecting your iPod® to the docking station on the front panel of this system you can play your iPod® through the speakers of this system. And you can also recharge the battery in your iPod®.

**Note:** Recharging is only possible when you are using the system with the included AC adapter, Your iPod® battery will not be recharged when you are operating this system on battery power.

To accommodate all models of dockable iPod® we have included four different adapter / inserts to ensure that your iPod® will fit properly in the docking station.

Refer to the chart below to select the proper adapter / insert for your particular model of dockable iPod®. **Note:** If you have a earlier non-dockable iPod®, or an iPod® Shuffle, please refer to the next section to connect you device to the Auxiliary Input jack.

### iPod® inserts

Your unit comes with 4 removable inserts to ensure your iPod® fits properly in the dock on the front of the system.

iPod® version	4G		3G		mini				nano				5G	
	20 GB	40 GB	10 GB	16 GB	30 GB	20 GB	30 GB	40 GB	60 GB	2 GB	4 GB	30 GB	80 GB	
A	A		A	A	A	A	A							
B		B			B			B	B				B	
C										C	C			
D												D		

- Place the proper adapter / insert into the docking station. The iPod® 30-pin connector should fit through the opening in the bottom of the insert.
- Gently press the insert into the dock until it is properly seated.
- With your iPod® in the Power 'Off' mode carefully place it into the insert. **Note:** Remove any accessory case or "skin" from your iPod® before inserting it in the dock.
- To remove or replace an insert, first remove your iPod® from the dock, then grip the insert and gently lift it upward and out of the dock.

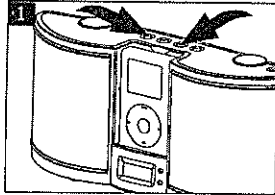
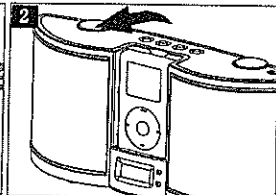
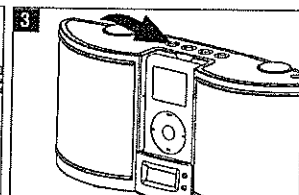
## OPERATING INSTRUCTIONS(CONTINUED)

### Playing your iPod®

#### Important

To prevent distortion during iPod® playback you should go to the Main Menu of your iPod®, select the Settings Menu page, select the EQ Setting, and make sure that the EQ function is set to "Off".

(Main Menu → Settings Menu → EQ Setting → Select "Off")

		
<p>After inserting your iPod® in the dock as described above, set the POWER switch of this system to the 'On' position, and the FUNCTION switch to the iPod® position. If necessary, release the HOLD switch on your iPod® and turn it on.</p>	<p>Select the song or album that you wish to play on your iPod® using the click-wheel navigation controls as usual. Use the VOLUME control on this system to increase or decrease the speaker volume level. The volume control on your iPod® has no effect on the speaker volume level.</p>	<p>When you are finished listening press the POWER button to turn this system 'Off'. The display lighting will turn off. If you are using the AC adapter, the charging indicator will appear on your iPod® display</p>

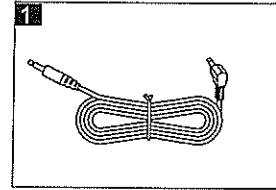
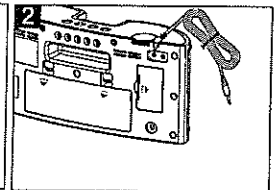
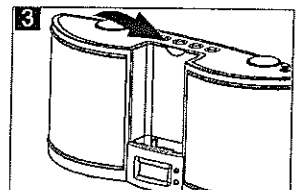
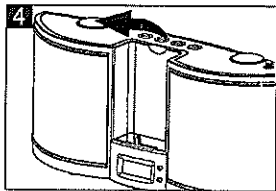
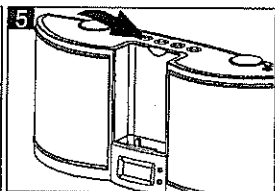
#### Important Note

To prevent damage to your iPod® we recommend that you do not play your iPod® when you are carrying this system around as a portable. The system should be placed in a stable, secure position before connecting and operating your iPod®.

## OPERATING INSTRUCTIONS(CONTINUED)

### Listening To A Non-Docking iPod® Or Other Portable Music Player

Some early iPod® models and the iPod® Shuffle do not include the 30-pin docking connector found on most other iPods®. We have provided an Auxiliary Input Jack on the back panel of this system and included a stereo connection cable so that you can still connect non-docking iPods®, other MP3 players, or personal CD players to this system.

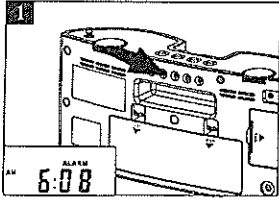
		
<p>Locate the stereo connection cable supplied with this system.</p>	<p>Connect one end of the 3.5mm stereo cable into the auxiliary input jack (AUX) located on the back of the unit, and other end to the headphone or line out jack on your portable audio device.</p>	<p>Set the POWER button to the 'On' position and the FUNCTION button to the AUX position. Also turn on your external portable audio player.</p>
		
<p>Use the VOLUME control to adjust the system volume. You may need to adjust your device volume, too.</p>	<p>When you are finished listening set the POWER button to the 'Off' position. Remember to shut off the power to your portable audio player as well.</p>	

#### Important Note

Remember to disconnect the stereo connection cable from the Aux Jack before inserting an iPod® in the docking station.

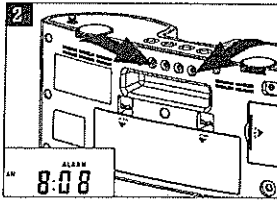
## OPERATING INSTRUCTIONS (CONTINUED)

### SETTING THE ALARM

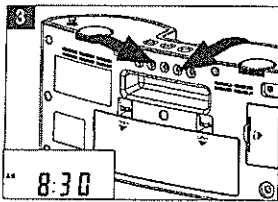


Press and hold the ALARM SET button to enter the alarm Time setting mode. The front panel display will change from current time to alarm time.

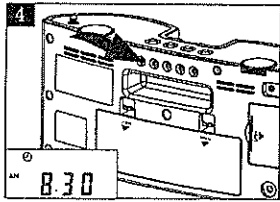
Note: The POWER switch must be set to the 'Off' position to adjust the Alarm time.



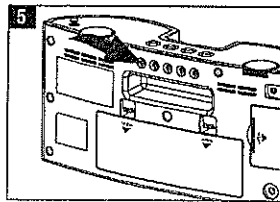
While continuing to hold the ALARM SET button press the HOUR button repeatedly until the display shows the desired wake-up hour. Be sure to observe the AM/PM indicator to confirm that you are setting the alarm time correctly.



While continuing to hold the ALARM SET button press the MINUTE button repeatedly to set the desired wake-up minute. When the desired wake-up time appears on the display release all the buttons.



Press the ALARM ON/OFF button to activate the alarm. The ALARM indicator on the front panel will turn 'On'. Set the FUNCTION selector to the desired alarm mode, Radio or Buzzer.



To stop the alarm sooner, press the ALARM ON/OFF button once. The alarm stops immediately but the alarm indicator remains 'On' and the alarm will turn on again on the following day. To deactivate the alarm so that it does not repeat on the following day press the ALARM ON/OFF button once more. The alarm indicator goes 'Off'.

## TROUBLESHOOTING GUIDE

Symptom	Possible Cause	Solution
<b>Radio</b>		
Noise or sound distorted on AM or FM broadcasts.	Station not tuned properly for AM or FM.	Retune the AM or FM broadcast station.
	FM: Rod antenna is not extended.	Extend FM Rod antenna.
	AM: The bar antenna is not positioned correctly.	Reposition the unit until best reception is obtained.
FM STEREO indicator does not light	The BAND switch is not set to FM position.	Set the BAND switch to FM ST. Position
AM or FM, no sound	Function switch is not set to RADIO.	Set the Function switch to RADIO.
	Volume at minimum.	Increase Volume
<b>iPod® Player</b>		
Unit does not respond (no power)	AC adaptor is not plugged into a wall outlet or the connector is not plugged into the power supply jack on the back of the unit.	Plug the AC adaptor into a wall outlet and plug the connector into the supply jack on the unit.
	Using no or wrong iPod® insert	Make sure the dock insert is the proper fit for the iPod®
iPod® does not dock properly	iPod® did not install properly	Remove the iPod® from the dock and check for obstruction on the connections in the dock and on the iPod®, Then reseat it in the dock
iPod® does not respond to the unit	iPod® is not installed properly	Remove the iPod® from the dock and check for obstruction on the connectors in the dock and on the iPod®. Then reseat it in the dock
	iPod® is locked up	Please make sure your iPod® is working properly before docking into the unit. Please refer to the iPod® manual for details.
	Using first or second generation iPod®, iPod® Shuffle or other devices.	This unit cannot control those iPods® or other devices.
iPod® did not charge up	iPod® is not installed properly	Remove the iPod® from the dock and check for obstruction on the connectors in the dock and on the iPod®. Then reseat it in the dock
	iPod® is locked up/frozen	Please make sure your iPod® is working properly before docking into the unit. Please refer to your iPod® manual for details.
	iPod® battery has problem	



## CARE AND MAINTENANCE

If the cabinet becomes dusty, wipe it with a soft cloth. If the cabinet becomes smudged or dirty, clean it with a soft, slightly dampened cloth. Never allow water or any liquid to get inside the cabinet.

Never use any abrasive cleaners or cleaning pads as these will damage the finish of your unit.

### EMERSON WARRANTY

Consumer Electronics, Home Appliances and Home Office Products

Thank you for choosing EMERSON!

RGC Redmond Group gives the following express warranty to the original consumer purchaser or gift recipient for this EMERSON product, when shipped in its original container and sold or distributed in Canada by RGC Redmond Group or by an Authorized EMERSON Dealer:

RGC Redmond Group warrants that this product is free, under normal use and maintenance, from any defects in material and workmanship. If any such defects should be found in this product within the applicable warranty period, RGC Redmond Group shall, at its option, repair or replace the product as specified herein. Replacement parts furnished in connection with this warranty shall be warranted for a period equal to the unexpired portion of the original equipment warranty.

This warranty shall not apply to:

- a. Any defects caused or repairs required as a result of abusive operation, negligence, accident, improper installation or inappropriate use as outlined in the owner's manual.
- b. Any EMERSON product tampered with, modified, adjusted or repaired by any party other than RGC Redmond Group or EMERSON's Authorized Service Centres.
- c. Damage caused or repairs required as a result of the use with items not specified or approved by RGC Redmond Group, including but not limited to head cleaning tapes and chemical cleaning agents.
- d. Any replacement of accessories, glassware, consumable or peripheral items required through normal use of the product including but not limited to earphones, remote controls, AC adapters, batteries, temperature probe, stylus, trays, filters, cables, paper, cabinet, cabinet parts, knobs, buttons, baskets, stands, shelves, cookware and cooking utensils.
- e. Any cosmetic damage to the surface or exterior that has been defaced or caused by normal wear and tear.
- f. Any damage caused by external or environmental conditions, including but not limited to transmission line/power line voltage or liquid spillage.
- g. Any product received without appropriate model, serial number and CSA /cUL /cULus /cETL /cETLus markings.
- h. Any products used for rental or commercial purposes.
- i. Any installation, setup and/or programming charges.

Should this EMERSON product fail to operate during the warranty period, warranty service may be obtained upon delivery of the EMERSON product together with proof of purchase and a copy of this LIMITED WARRANTY statement to an Authorized EMERSON Service Centre. This warranty constitutes the entire express warranty granted by RGC Redmond Group and no other dealer, service centre or their agent or employee is authorized to extend, enlarge or transfer this warranty on behalf of RGC Redmond Group. To the extent the law permits, RGC Redmond Group disclaims any and all liability for direct or indirect damages or losses or for any incidental, special or consequential damages or loss of profits resulting from a defect in material or workmanship relating to the product, including damages for the loss of time or use of this EMERSON product or the loss of information. The purchaser will be responsible for any removal, reinstallation, transportation and insurance costs incurred. Correction of defects, in the manner and period of time described herein, constitute complete fulfillment of all obligations and responsibilities of RGC Redmond Group to the purchaser with respect to the product and shall constitute full satisfaction of all claims, whether based on contract, negligence, strict liability or otherwise.

#### CARRY-IN PARTS & LABOUR WARRANTY PERIODS:

- Audio Products: 1 Year (Remote Control, if applicable - 90 Days)
- Home Appliances: 1 Year
- Microwave Magnetron parts only additional 6 Years
- Refrigerator / Freezer Compressor parts only, additional 4 years
- Home Office Products: 1 Year

To obtain the name and address of the nearest Authorized EMERSON Service Centre or Dealer, please contact:  
RGC Redmond Group, 6185 McLaughlin Road, Mississauga, ON L5R 3W7.

For more information on this Warranty or Service Locations, please call (905)366-5100 or toll free 1-800-663-5954, Monday to Friday 9:00am - 5:00pm Eastern Standard Time.

04/2006